

**5VI311IN**  
**Dishwasher**  
**Freestanding**

**Power / consumption**

- Energy efficiency class: 3.5 star
- Water consumption class: 4.5 star
- Capacity: 14 place settings, 3 layers
- Program duration in the program Eco: 170 min
- Energy consumption in the Eco program: 0.71 kWh
- Water consumption in the Eco program: 12.5 l
- Voltage: 220 - 240V

**programs**

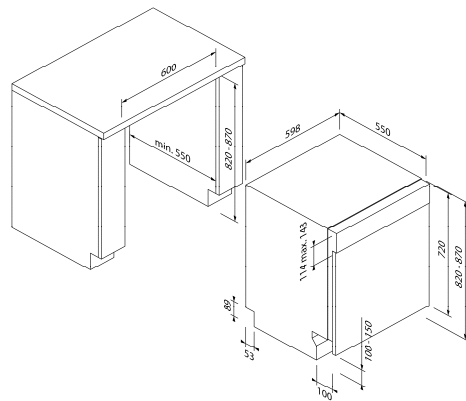
- 6 programs: Intensive, Heavy, ECO,90min,Rapid,Glass

**Equipment / Comfort**

- Type of control:Electronic Control
- Type of display:led light
- Power of heat element(230V):1800W
- Timer pre-setting :3/6/9h
- Push button functions: Power, Program, Delay, Option, Start/Pause
- Functions of Indicator :Rinse Aid, Delay time, Power wash,program, Extra drying
- Type of heating element:Hidden
- Filter type:Main filter/Coarse filter/Fine filter
- Filter material : Plastic+stainless steel
- Tub material:Stainless steel
- Spray arms:Two spraying levels: Upper & Lower

**Dimensions**

- Device dimensions (H x W x D): 81.5 cm x 59.8 cm x 57.0 cm
- Built-in dimensions (H x W x D): 81.5 cm x 59.8 cm x 57.0 cm
- Installation dimensions (H x W x D): 82.0cm x 60.0cm x 28.0cm



EAN: 4251003107869

**Features:**

- Energy efficiency class: 3.5 star
- Water consumption class: 4.5 star
- Working height (mm): 820
- Device height (mm): 815
- Height adjustable feet: Yes
- Height adjustment Feet maximum (mm): 50
- Net weight (kg): 31.5
- Gross weight (kg): 37
- Voltage (V): 220-240
- Frequency (Hz): 50
- Length of connection cable (cm): 150
- Length of inlet hose (cm): 150
- Length of drain hose (cm): 150
- Water heater: Yes
- Softening system: no
- Cup Shelf: 1
- Color of display: Red
- Type of basket: Standard basket
- Type of dispenser: flip dispenser
- Type of inlet pipe: aqua-stop

**Consumption and load ratings:**

- International Ordering Code:5VI311AU
- Number of place settings: 14
- Energy efficiency class: 3.5 star
- Water consumption class: 4.5 star
- Energy consumption (kWh): 0,71
- Comparison program: Eco
- Program duration comparison program (min): 170
- Sound power (dB): 49
- Type of installation: Built in
- Voltage (V): 220-240
- Frequency (Hz): 50
- Dimensions of the packaged device (H x W x L) (cm): 89.0 x 64.5 x 64.5
- Material inner container: stainless steel
- Water heater: Yes
- Water consumption (l): 12.5