



EAN-Nr.: 4251003108378

**Built-in fridge-freezer with bottom freezer compartment, 193.5 x 55.8 cm, flat hinge
5CR296FD0**

- NoFrost, built-in refrigerators 2-door
 - Flat hinge,
- Performance and consumption
- Energy efficiency class: D
 - Usable capacity total: 289 l
 - Energy consumption / year: 184 kWh/a
 - Noise efficiency class / noise value: B / 35 dB
- Design
- LED lighting
 - Built-in refrigerators 2-door
- Comfort and safety
- NoFrost - never defrost again!
 - SuperFreezing: yes
 - Separate, electronic temperature control, readable via LED
 - Optical and acoustic warning device or active warning system in case of temperature rise in the freezer compartment
 - Automatic defrosting in the refrigerator compartment
- Refrigerator compartment
- 5 safety glass shelves, 4 of which are height-adjustable
 - 1 bottle rack, 3 door racks
- Freshness preservation system
- 1 common container with int. humidity regulat.
- Freezer compartment
- Useful capacity freezer compartments: 75 l
 - Freezing capacity in 24 h: 7.5 kg
 - Storage time at malfunction : 10 h
 - 3 transparent frozen food drawers
- Dimensions
- Dimensions (H x W x D): 193.5 cm x 55.8 cm x 54.8 cm
 - Niche dimensions (H x W x D): 194.0 cm x 56.0 cm x 55.0 cm
- Technical information
- Door hinge right, exchangeable
 - Height-adjustable feet at the front, castors at the back
 - Length of connection cable: 230 cm
 - Climate class: SN-ST
 - 220 - 240 V
- Accessories
- 3 x egg tray, 1 x ice cube tray

Accessories

3 x egg tray, 1 x ice cube tray

Additionally available accessories

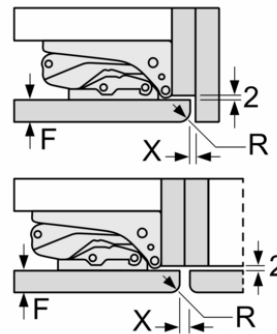
Available colour variants

Technical data

Equipment features Energy efficiency class (EU 2017/1369) : D
Average energy consumption in kilowatt hours per year (kWh/a) (EU 2017/1369) : 184
Total freezer compartment volume (EU 2017/1369) : 75
Airborne acoustical noise emissions (EU 2017/1369) : 35
Airborne acoustical noise emission class (EU2017/1369) : B
Construction : Built-in
Number of compressors : 1
Number of independent cooling circuits : 2
Unit width : 558
Unit height : 1935
Unit depth : 548
Net weight : 53,7
Min. niche dimensions for installation (H x W x D) : 1940 x 560 x 550
Decorative frame/panel : Not possible
Door hinge : Changeable to the right
Number of adjustable shelves - Refrigerated section (pcs.) : 4
Bottle shelves : No
Frostfree system :
Freezer interior fan : No
Hinges exchangeable : Yes
Length of connection cable : 230.0
Multi-flow air tower : No
Super cool button : No
Superfrost button : Yes
Temperature controlled drawer : No
Humidity control drawer : No
Number of Door Bins - Refrigerator : 4
Door Adjustments - Refrigeration : Yes
Tilt-out door bins in fridge : No
Gallon Storage : Yes
Number of Storage Capacity : 1
Motorised Shelf : No
Material of shelves : Safety glass
Door open display freezer : No
Automatic ice maker : No
use : 10
Voltage : 220-240
Power failure storage (h) : 10
Decorative frame/panel : Not possible
Energy Star Qualified : No
Plug type : Schuko/Gardy.m.grounding
Cut-out dimensions : x
Packed unit dimensions : 79.52 x 24.40 x 24.80
Net weight : 118,000
Gross weight : 131,000

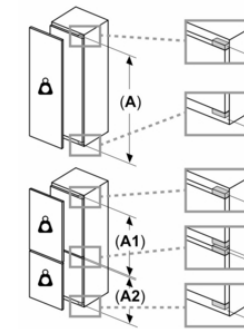
Built-in fridge-freezer with bottom freezer compartment, 193.5 x 55.8 cm, flat hinge 5CR296FD0

Maße in mm Empfehlung Spaltmaße für Flachscharnier



F	R	X
16-19	0-3	2,5
20	0-1	3
21	2-3	2,5
	0-1	3
22	2-3	2,5
	0	4
	1	3,5
	2-3	3

Die in der Tabelle empfohlenen Spaltmasse sind einzuhalten, um eine kollisionsfreie Öffnung der Gerätetüre zu gewährleisten und Beschädigungen am Küchenmöbel zu vermeiden.



Maximal zulässiges Gewicht der Möbelfronten

Montierte Möbelfronten, die das zulässige Gewicht überschreiten, können zu Beschädigungen und zu Funktionsbeeinträchtigungen der Scharniere führen

Δ Gewicht

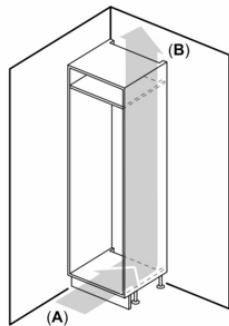
A: Gerätetürhöhe inklusive Scharniere in mm

B: Ungedämpftes Scharnier, Möbelfront in kg

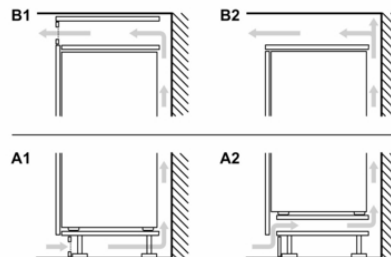
C: Gedämpftes Scharnier, Möbelfront in kg

D: Zusätzliche mögliche Last in kg mit Schwerlastsatz

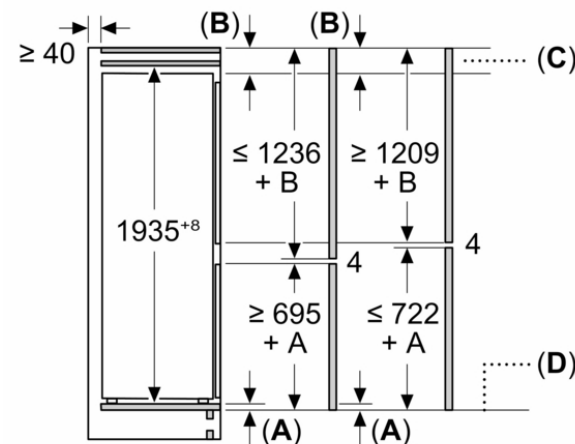
A	B	C	D
1500-1750	22	22	B+5 / C+5
720-1400	19	19	
A1	15	19	
A2	15	19	



A: Air inlet $\geq 200 \text{ cm}^2$; Ventilation options
B: Air outlet $\geq 200 \text{ cm}^2$; Ventilation options



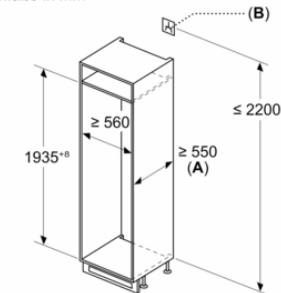
Maße in mm



C: Überstand Frontplatte

D: Unterkante Frontplatte

Maße in mm



A: $\geq 560 \text{ mm}$ (empfohlen)

B: Steckdose

Built-in fridge-freezer with bottom freezer compartment, 193.5 x 55.8 cm,
flat hinge
5CR296FD0

Maße in mm

