



**Built-in refrigerator, 82 x 60 cm, flat hinge
5CN221FE0**

Performance and consumption

- Energy efficiency class: E
- Usable capacity total: 134 l
- Energy consumption / year: 93 kWh/a
- Climate class: SN-T
- Noise efficiency class / noise value: B / 35 dB

Design

- EmotionLight - gently dimming LED interior lighting

Comfort and safety

- Electronic temperature control readable via LED
- Optical and acoustic warning device or active warning system in case of temperature rise in the freezer compartment
- Holiday mode, energy-saving mode
- Remote start and remote monitoring

Super cooling

- Automatic defrosting in the refrigerator compartment

- Easy-to-clean, bright interior

Cooling compartment

- Useful capacity of cooling compartments: 134 l
- 3 safety glass shelves
- 2 door shelves
- including 1 bottle holder with extra-deep door shelf
- Bottom compartment with sliding lid: separate storage area, e.g. for bottles

Freshness Retention System

Technical Information

- Door hinge right, exchangeable
- Substructure
- Ventilation in the plinth area, no cut-out in the worktop required
- Length of connecting cable: 230 cm
- 220 - 240 V

Dimensions

- Niche dimensions (H x W x D): 82.0 cm x 60.0 cm x 55.0 cm
- Appliance dimensions (H x W x D): 82.0 cm x 59.8 cm x 54.8 cm

Accessories

- 1 x Egg tray

Country-specific options

- Based on the results of the standard test over 24 h. Actual consumption depends on use/location of the appliance.

Accessories

- 1 x egg tray

Additionally available accessories

Available colour variants

Technical data

Equipment features

Gross weight : 82,000
 Energy efficiency class (EU 2017/1369) : E
 Average energy consumption in kilowatt hours per year (kWh/a) (EU 2017/1369) : 93

Total volume of freezer compartments (EU 2017/1369) : 0

Total volume of cold storage compartments (EU 2017/1369) : 134

Airborne acoustical emissions (EU 2017/1369) : 35

Airborne acoustical emission class (EU 2017/1369) : B

Construction : Built-in

Number of compressors : 1

Number of independent cooling circuits : 1

Unit width : 598

Unit height : 820

Unit depth : 548

Net weight : 34,1

Min. niche dimensions for installation (H x W x D) : 820 x 600 x 550

Decorative frame/panel : Not possible

Door hinge : Changeable to the right

Number of adjustable shelves refrigerator section (pcs.) : 3

Bottle racks : No

Frostfree system : No

Interior fan : No

Hinges exchangeable : Yes

Length of connection cable : 230.0

Multi-Flow Air Tower : No

Energy Saving Function : Yes

Super Cool Button : Yes

Temperature Controlled Drawer : No

Humidity control drawer : No

Number of Door Bins - Refrigerator : 2

Door Adjustment - Cooling : No

Tilt-out door bins in fridge : No

Gallon storage : Yes

Number of Storage Capacity : 1

Motorised Shelf : No

Shelf material : Glass

Door open indicator freezer : No

Fuse : 10

Voltage : 220-240

Frequency : 50

Decorative frame/panel : Not possible

Type of installation : Undercounter

Energy Star Qualified : No

Plug type : Schuko/Gardy.w.grounding

Cut-out dimensions : x

Dimensions of the packaged

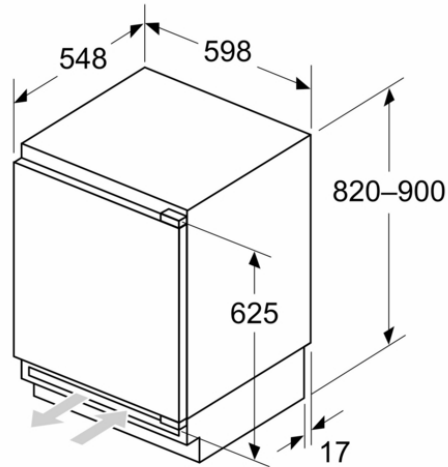
Blaupunkt

EAN-Nr.:
4251003107791

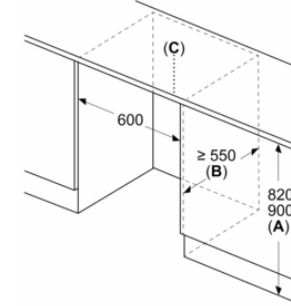
Built-in refrigerator, 82 x 60 cm, flat hinge
5CN221FE0



Maße in mm

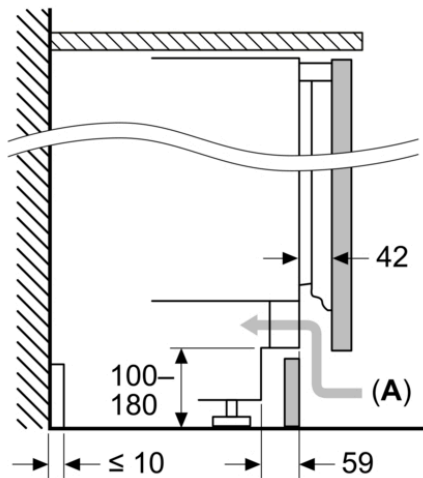


Maße in mm



A: Unterbauhöhe
B: ≥ 560 mm (empfohlen)
C: Sonderzubehör kann bestellt werden, falls Verschrauben nicht möglich ist
Platz für elektrischen Anschluss seitlich rechts oder links neben dem Gerät

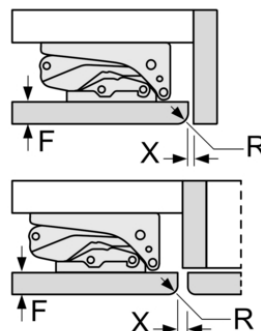
Maße in mm



A: Lufteintritt ≥ 200 cm²

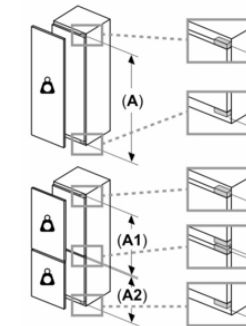
Maße in mm

Empfehlung Spaltmaße für Flachscharnier



F	R	X
16-19	0-3	2,5
20	0-1	3
	2-3	2,5
21	0-1	3
	2-3	2,5
22	0	4
	1	3,5
	2-3	3

Die in der Tabelle empfohlenen Spaltmasse sind einzuhalten, um eine kollisionsfreie Öffnung der Gerätetüre zu gewährleisten und Beschädigungen am Küchenmöbel zu vermeiden.



Maximal zulässiges Gewicht der Möbelfronten

Montierte Möbelfronten, die das zulässige Gewicht überschreiten, können zu Beschädigungen und zu Funktionsbeeinträchtigungen der Scharniere führen

Δ Gewicht
A: Gerätetürhöhe inklusive Scharniere in mm

B: Ungedämpftes Scharnier, Möbelfront in kg

C: Gedämpftes Scharnier, Möbelfront in kg

D: Zusätzliche mögliche Last in kg mit Schwerlastsatz

A	B	C	D
1500-1750	22	22	B+5 / C+5
720-1400	19	19	
A1	15	19	
A2	15	19	