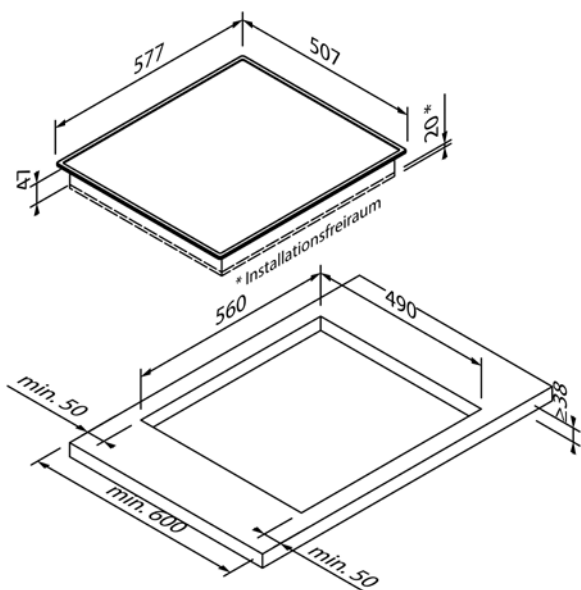




5RG64450

EG013510



Design	
Version	Stainless-steel frame
Construction type	Top mounted
Width (in cm)	60

Heating type & functions	
Heating type	Electric
Power levels	9
Number of cooking zones	4
Cooking zones	2 × Ø 14,5 cm (1,2 kW), 1 × Ø 12,0 / 21,0 cm (0,75 kW / 2,1 kW), 1 × Ø 14,5 / 25,0 cm (1,0 kW / 1,8 kW)
Boost function	–
Double ring zone	•
Casserole zone	•
Special functions	–

Operating comfort & equipment	
Operation	Touch Control
Display / Colour	Digital / Red
Pot detection	–
Residual heat display	•
Timer	–
Child lock	•
Safety switch-off	•
Power management	–
Multi Control ¹	–

Technical data	
Connected load	5,0kW / 220-240 V
Fuse protection (in A)	2 x 16 A
Frequency (in Hz)	50-60 Hz
Plug type	
Length of connection cable (in cm)	150 cm
Net weight (in KG)	8 kg
Gross weight (in KG)	9 kg
Dimensions of the packaged appliance (H x W x D)	13,0 x 67,0 x 60,0 cm
Appliance dimensions (H x W x D)	4,9 x 57,7 x 50,7 cm
Installation dimensions (H x W x D)	4,7 x 56,0 x 49,0 cm
EAN	4251003108842

Note	
Ventilation	No ventilation from the front necessary Lieferbar ab Dezember 2024