



SIX99351
Stand-alone hob
combi induction with integrated extractor fan, 90 cm

Extractor fan
Output, consumption
 • Voltage: 220 – 240 V
 • Total connected load: 170 W
 • Energy efficiency class: A++
 • Average power consumption: 20.3 kWh/year
 • Fan efficiency class: A
 • Grease filter efficiency class: B
 • Noise min./max. Intensive level/Normal level: min. 48 dB(A) max. 66 dB(A)/max. 71 dB(A)
 • Fan output max. Normal level/ Intensive level*: in extraction mode 644 m³/h / 747 m³/h in circulation mode 483 m³/h / 560 m³/h
 * According to EU Regulation No. 65/2014 / Fan capacity according to EN 61591

Extractor fan
Equipment / comfort
 • Electronic opening of the extractor fan
 • Glass ceramic, black
 • Suitable for installation in a kitchenette or kitchen island
 • Optional extraction or circulation mode (carbon filter required for circulation mode)
 • Fan output 6-level, controllable by touch control with 7-segment LED display
 • 5 power levels + 1 intensive level
 • Intensive level with automatic reset for extraction mode
 • Automatic, three-level blower overrun of 5/10 and 20 minutes with LED display
 • Metal grease filter and carbon filter saturation indication by LED control lamp
 • To clean / evacuate the metal grease filter and the water collection tank, the appliance automatically blocks after 40 hours of operation
 • Automatic overrun for circulation mode
 • Water collection tank: 0.75 litre capacity
 • Powerful and quiet blower
 • Metal grease filter, dishwasher-safe

Optional accessories
 • 5Z9105X1: Carbon filter (2 x required)
 • 5Z9104X1: Air outlet kit, right

Technical data and dimensions
 • Appliance dimensions: 58 x 900 x 530 mm
 • Installation dimensions: 58 x 862 x 495 mm

Optional accessories:
 • 5Z9105X1: Carbon filter (2 x required)
 • 5Z9104X1: Air outlet kit, right

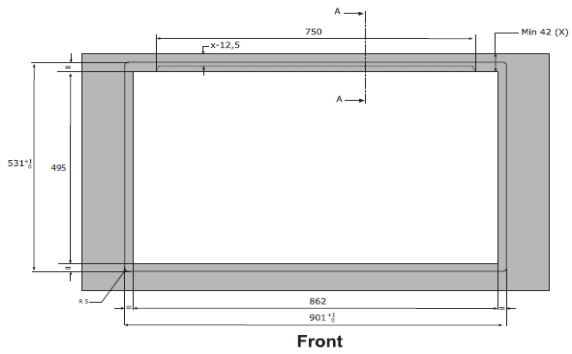
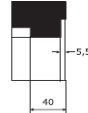
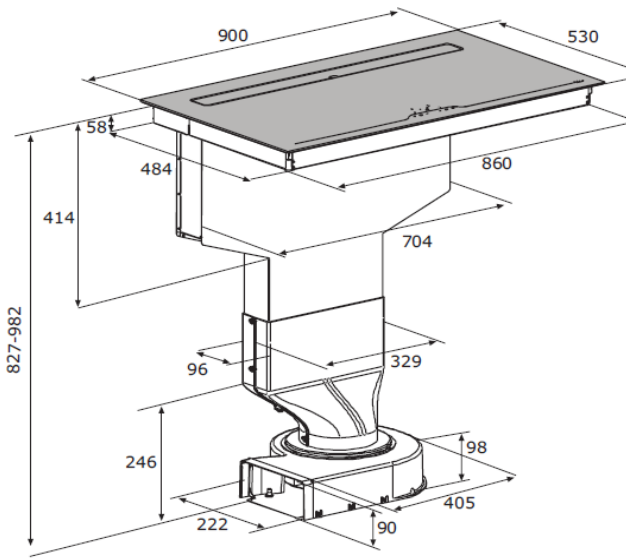
Features:
 • Device type: induction with integrated extractor
 • Type: induction with integrated extractor
 • Approval certificates: CE
 • Length of connection cable (cm): 150
 • Net weight (kg): 30.8

Available color options:

Consumption and connection values:
 • Connected load (W): 170
 • Voltage (V): 220/240
 • Frequency (Hz): 50/60
 • Plug type: Schuko

Accessories:

EAN-Nr. 4251003102512



Dimensions in mm