



**5IX99351**  
**Stand-alone hob**  
**combi induction with integrated extractor fan, 90 cm**

**Hob**  
**Output, consumption**  
 • Voltage: 220 – 240 V  
 • Total connected load: 8.8 kW  
 • 4 induction cooking zones with booster:  
 4 cooking zones Ø 22 cm, 2.1 kW (3.7 kW)

**Hob**  
**Equipment / comfort**  
**Equipment / comfort**  
 • Frameless  
 • Touch control with slider function  
 • Boost function for all induction cooking zones  
 • Electronic control in 10 power levels  
 • Main switch for hob and extractor fan  
 • Toggle function with fixed temperatures (40 °C, 70 °C and 98 °C)  
 • Cooking Chef Mode, Pause and Recall  
 • Residual heat display  
 • Pot detection  
 • Child protection  
 • Timer  
 • Countdown function  
 • 2 x bridging function  
 • Flush-mounted installation possible

**Technical data and dimensions**  
 • Appliance dimensions: 58 x 900 x 530 mm  
 • Installation dimensions: 58 x 862 x 495 mm

**Optional accessories:**

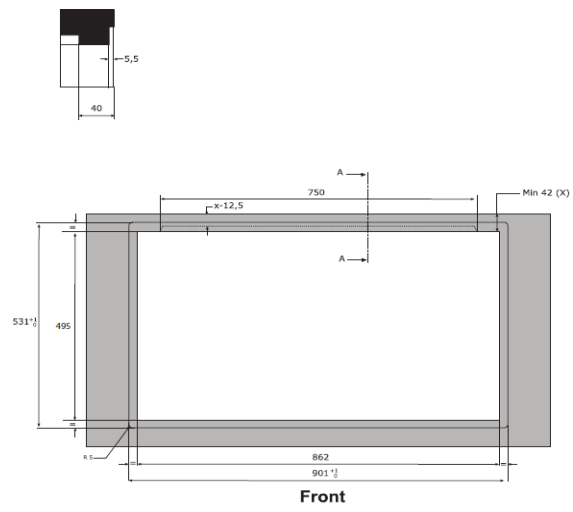
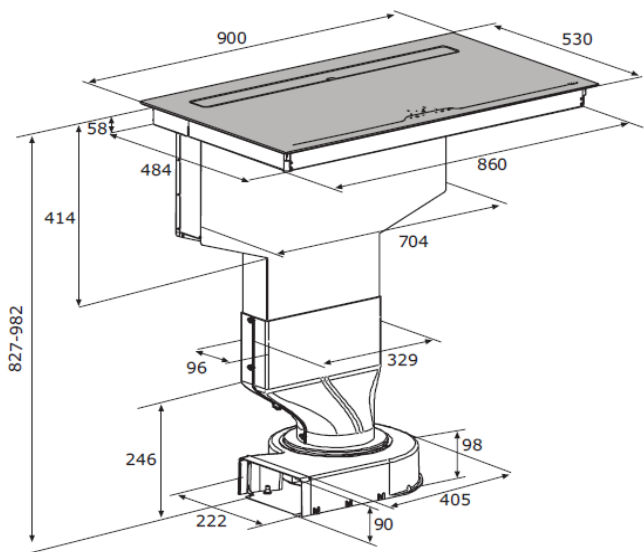
**Features:**  
 • Device type: Hob glass ceramic  
 • Type: built-in device  
 • Energy source: electric  
 • Number of cooking zones that can be used simultaneously: 4  
 • Device width (mm): 900  
 • Net weight (kg): 30.8  
 • Gross weight (kg): 39.65  
 • Residual heat indicator: Yes  
 • Location of the controller: Front  
 • Type of control: Touch control with 7 segment • LED display  
 • Main surface material: glass-ceramic  
 • Surface color: black  
 • Frame color: No  
 • Approval certificates: CE  
 • Heaters with Booster: All 4  
 • 4 induction cooking zones with booster:  
 4 cooking zones Ø 22 cm, 2.1 kW (3.7 kW)

**Available color options:**

**Consumption and connection values:**  
 • Electric connection value (W): 7400  
 • Voltage (V): 220-240  
 • Frequency (Hz): 50; 60  
 • Device color: black  
 • Energy source: electric  
 • Approval certificates: CE  
 • Plug type: without plug  
 • Dimensions of the packaged device (cm): 100.5 x 48.5 x 12.5  
 • Net Weight (lbs): 17  
 • Gross weight (lbs): 19  
 • Number of cooking zones that can be used simultaneously: 4  
 • Niche dimensions (mm): 48 x 560-560 x 490-500  
 • Dimensions of the device (mm): 48 x 583 x 513  
 • Net weight (kg): 8.0  
 • Gross weight (kg): 8.0

**Accessories:**

EAN-Nr.: 4251003102512



Dimensions in mm