



5IX94352
Stand-alone hob
induction with integrated extractor fan

Hob
Output, consumption
 • Voltage: 220 – 240 V
 • Total connected load: 7.4 kW
 • 4 induction cooking zones with booster:
 2 cooking zones Ø 16cm, 1.2 kW (1.4 kW power function)
 2 cooking zones Ø 20cm, 2.3 kW (3 kW power function)

Hob
Equipment / comfort
 • Frameless
 • Touch Control
 • Boost function for all induction cooking zones
 • Electronic control in 10 power levels
 • Main switch for hob and extractor fan
 • 7-segment LED display
 • Residual heat display
 • Pot detection
 • Child protection
 • Timer
 • Countdown function
 • Flush-mounted installation possible

Technical data and dimensions
 • Appliance dimensions: 58 x 900 x 530 mm
 • Installation dimensions: 58 x 862 x 495 mm

Accessories:

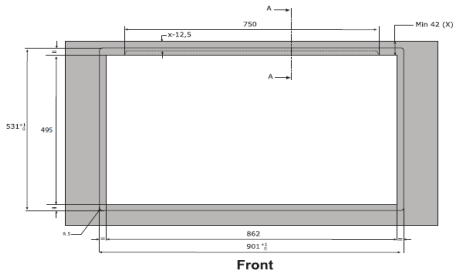
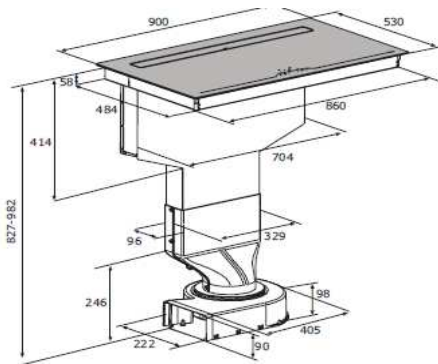
Features:
 • Device type: Hob glass ceramic
 • Type: built-in device
 • Energy source: electric
 • Number of cooking zones that can be used simultaneously: 4
 • Device width (mm): 900
 • Net weight (kg): 30.8
 • Gross weight (kg): 39.65
 • Residual heat indicator: Yes
 • Location of the controller: Front
 • Type of control: Touch control with 7 segment • LED display
 • Main surface material: glass-ceramic
 • Surface color: black
 • Frame color: No
 • Approval certificates: CE
 • Heaters with Booster: All 4
 • 4 induction cooking zones with booster:
 2 cooking zones Ø 16cm, 1.2 kW (1.4 kW power function)
 2 cooking zones Ø 20cm, 2.3 kW (3 kW power function)

Optional accessories:

Consumption and connection values:
 • Electric connection value (W): 7400
 • Voltage (V): 220-240
 • Frequency (Hz): 50, 60
 • Device color: black
 • Energy source: electric
 • Approval certificates: CE
 • Plug type: without plug
 • Dimensions of the packaged device (cm): 100.5 x 48.5 x 12.5
 • Net Weight (lbs): 17
 • Gross weight (lbs): 19
 • Number of cooking zones that can be used simultaneously: 4
 • Niche dimensions (mm): 48 x 560-560 x 490-500
 • Dimensions of the device (mm): 48 x 583 x 513
 • Net weight (kg): 8.0
 • Gross weight (kg): 8.0

Available color options:

EAN-Nr.: 4251003102505



Dimensions in mm