



BLAUPUNKT

**5WT6X00GB
Built In Washdryer 60cm**

- Performance and size:**
- Energy Efficiency Class (Wash): D
 - Energy Efficiency Class (Wash/Dry): E
 - Capacity washing: 7kg
 - Capacity drying: 6kg
 - 53 % of moisture contained in load
 - Airborne acoustical noise emissions: 73 dB (B)
 - Spin speed: 1351 U/min
 - Spin-drying efficiency class: B
 - Weighted energy consumption in kWh per 100 washing cycles: 69 kWh / 324 kWh (Wash/Dry cycles)
 - Water Consumption of the eco programme in liters per cycle: 44 l and of the full wash and dry cycle in liters per cycle: 66 l
 - programme length "eco 40-60": 3:25h

- Features**
- Optimized automatic quantity control detects the amount of laundry and adjusts the washing parameters accordingly
 - Extremely durable and wear-resistant Inverter-Motor
 - Fiber protection through drum movements precisely matched to the selected program
 - Aquastop
 - Energy optimized Basic Programs: Eco 40-60°, 20C°, Cotton, Wool, Spin & Drain, Mixed
 - Time optimized Programs: Wash & Dry 90', Wash & Dry 45', Rapid 30'
 - Special Color Programs: White
 - Wash & Dry 45': in only 45 minutes your laundry is washed and dried
 - Wash & Dry 90': ready in only 90 minutes
 - Rapid 30' - this cycle lasts only 30 minutes, saving time and
 - Colours 15° - protect colours by washing in 15°
 - Steam-Option - Inhibits bad odors and creases through automatic drum movements and the addition of steam for up to 6 hours after the end of the cycle

- Dimensions H x B x T**
- Dimensions: 82,0 - 90,0 x 59,5 x 54,5 cm
 - Niche dimensions: 82,0 -90,0 x 60,0 x 56,0 cm
 - Dimensions (packed): 89,0 x 64,4 x 59,5 cm
 - Net weight (kg): 65 kg
 - Gross weight (kg): 67 kg

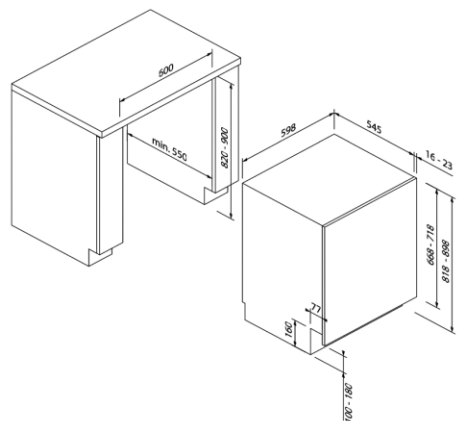
Special accessories:

Available colour variations:

Accessories:

- Features:**
- Built In Washdryer
 - adjustable feet: 80mm
 - max.water inlet temperature: 60°
 - Length of electrical supply cord: 120 cm

- Consumption and connection values:**
- comparative programme: Öko
 - duration of comparative programme: 205 min
 - water consumption of comparative programme: 44 l
 - noise emission (dB(A) re 1 pW): 73
 - type of installation: built in
 - Door hinge left / reversible
 - Protection: 10 Ampere
 - Voltage: 220- 240 Volt
 - Frequenz: 50 Hz
 - 1,85 kW Connecting Rating
 - Plug: Typ G



EAN: 4251003106015