

5DW69250

Appliance colour: brushed steel

Pyramidal design



5DW69250 Stainless steel

- Energy Efficiency Class: E
- Average Energy Consumption: 102 kWh/year
- Blower Efficiency Class: E*
- Lighting Efficiency Class: G
- Grease Filtering Efficiency Class: D
- Noise min./max. Normal Level: 53/67 dB

Design

- Wall-mounted chimney hood
- 90 cm wide

Features

- Wall mounted hood
- Suitable for ducted or re-circulated extraction
- For recirculated extraction recirculating kit (accessory) needed
- 3-stage fan power adjustable by rocker switches

Comfort:

- Noise level according to EN 60704-3 und EN 60704-2-13 at max.:

Extraction rate: 67 dB(A) re 1 pW (53 dB(A) re 20 µPa sound pressure)

Recirculating rate: 67 dB(A) re 1 pW (53 dB(A) re 20 µPa sound pressure)

- Metal grease filter, dishwasher safe
- Bright illumination with 2 x 30 W halogen lights
- Light Intensity: 246 lux
- Colour Temperature: 2700 K
- Light Colour: warm white

Power

- Air volume according to EN 61591:

Extraction rate max. 410 m³/h

Recirculating rate max. 230m³/h

Technical information:

- Power rating: 155 W

Measures:

- Dimensions exhaust air (HxWxD): 799-976 x 900 x 500 mm
- Dimensions recirculating (HxWxD): 799-976 x 900 x 500 mm
- * In accordance with the EU-Regulation No 65/2014

Optional accessories

5Z5138X5 Recirculating kit

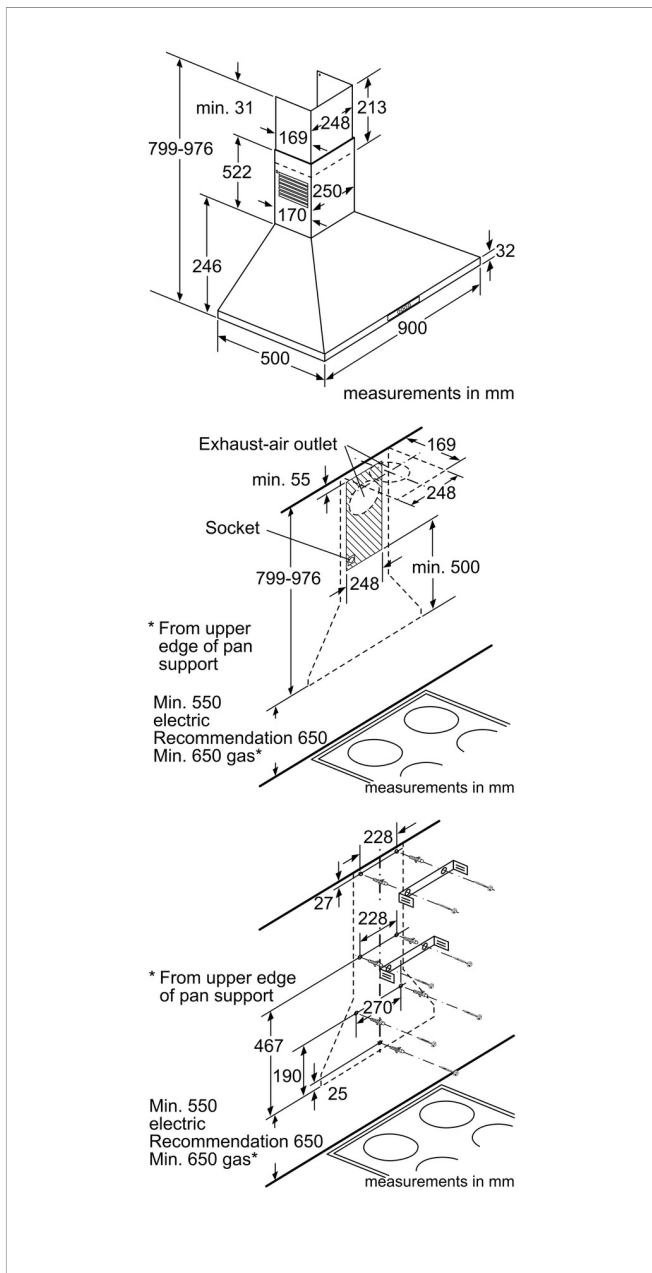
4251003100372



5DW69250

Appliance colour: brushed steel

Pyramidal design



Characteristics

Color chimney: Stainless steel
Typology: Chimney
Approval certificates: CE, VDE
Length electrical supply cord (cm): 130
Height of the chimney (mm): 553-730/573-730
Height of product, without chimney (mm): 246
Net weight (kg): 10.0
Type of control: mechanical
Number of speed settings: 3
Maximum output air extraction (m³/h): 410
Maximum output recirculating air (m³/h): 230
Number of lights: 2
Noise level (dB): 67
Diameter of air outlet (mm): 150 / 120
Grease filter material: Washable aluminium
Odour filter: No
Operating Mode: Convertible
Optional accessories: 5Z5138X5
Type of lamps used: Halogen
Total power of the lamps (W): 60
Grease filter type: Kasette

Consumption and connection features

Connection Rating (W): 155
Current (A): 10
Voltage (V): 220-240
Frequency (Hz): 60; 50
Plug type: Gardy plug w/ earthing
Installation typology: Wall-mounted
Universal Product Code:
Material body: Stainless steel
Approval certificates: CE, VDE
Length of electrical supply cord (in):
Plug type: Gardy plug w/ earthing
Dimensions of the product, with chimney (if exists) (in): / x x
Dimensions of the packed product (in): 13.38 x 23.42 x 38.77
Height of the chimney (in):
Vertical rise height:
Required distance above cooktop/ranges:
Net weight (lbs): 22
Gross weight (lbs): 30
Motor location: Integrated motor in hood body
Maximum output recirculating air (CFM):
Diameter of air duct (in) top:
Diameter of air duct (in) back:
Discharge direction:
No-return airflow flap: No
Length electrical supply cord (cm): 130
Dimensions of the product, with chimney (if exists) (mm): 799-976 x 900 x 500