

5DW66250

Appliance colour: brushed steel

Pyramidal design



5DW66250 Stainless steel

- Energy Efficiency Class: D
- Average Energy Consumption: 93 kWh/year
- Blower Efficiency Class: E*
- Lighting Efficiency Class: G
- Grease Filtering Efficiency Class: D
- Noise min./max. Normal Level: 53/67 dB

Design

- Wall-mounted chimney hood
- 60 cm wide

Features

- Wall mounted hood
- Suitable for ducted or re-circulated extraction
- For recirculated extraction recirculating kit (accessory) needed
- 3-stage fan power adjustable by rocker switches

Comfort:

- Noise level according to EN 60704-3 und EN 60704-2-13 at max.:

Extraction rate: 67 dB(A) re 1 pW (53 dB(A) re 20 µPa sound pressure)

Recirculating rate: 67 dB(A) re 1 pW (53 dB(A) re 20 µPa sound pressure)

- Metal grease filter, dishwasher safe
- Bright illumination with 2 x 30 W halogen lights
- Light Intensity: 270 lux
- Colour Temperature: 2700 K
- Light Colour: warm white

Power

- Air volume according to EN 61591:

Extraction rate max. 390 m³/h

Recirculating rate max. 230m³/h

Technical information:

- Power rating: 155 W

Measures:

- Dimensions exhaust air (HxWxD): 799-976 x 600 x 500 mm
- Dimensions recirculating (HxWxD): 799-976 x 600 x 500 mm
- * In accordance with the EU-Regulation No 65/2014

Optional accessories

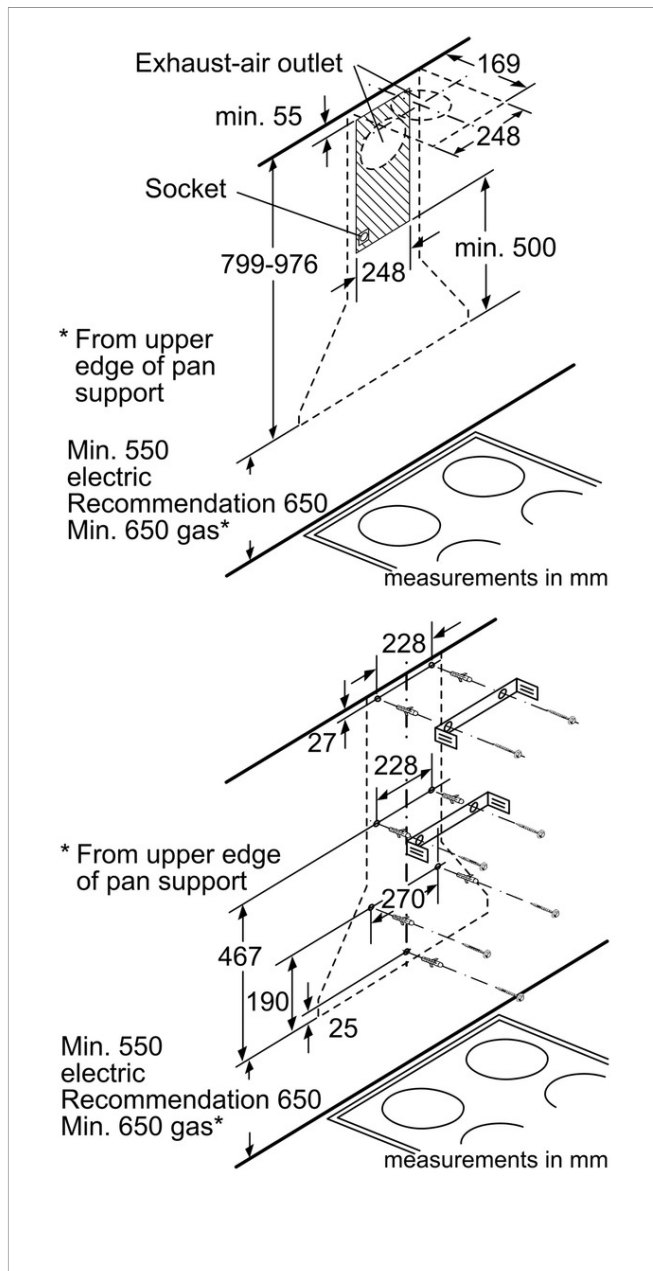
5Z5138X5 Recirculating kit

4251003100365

5DW66250

Appliance colour: brushed steel

Pyramidal design



Characteristics

Color chimney: Stainless steel
 Typology: Chimney
 Approval certificates: CE, VDE
 Length electrical supply cord (cm): 130
 Height of the chimney (mm): 553-730/573-730
 Height of product, without chimney (mm): 246
 Net weight (kg): 8.0
 Type of control: mechanical
 Number of speed settings: 3
 Maximum output air extraction (m³/h): 390
 Maximum output recirculating air (m³/h): 230
 Number of lights: 2
 Noise level (dB): 67
 Diameter of air outlet (mm): 150 / 120
 Grease filter material: Washable aluminium
 Odour filter: No
 Operating Mode: Convertible
 Optional accessories: 5Z5138X5
 Type of lamps used: Halogen
 Total power of the lamps (W): 60
 Grease filter type: Kasette

Consumption and connection features

Connection Rating (W): 155
 Current (A): 10
 Voltage (V): 220-240
 Frequency (Hz): 50; 60
 Plug type: Gardy plug w/ earthing
 Installation typology: Wall-mounted
 Universal Product Code:
 Material body: Stainless steel
 Approval certificates: CE, VDE
 Length of electrical supply cord (in):
 Plug type: Gardy plug w/ earthing
 Dimensions of the product, with chimney (if exists) (in): / x x
 Dimensions of the packed product (in): 13.38 x 23.62 x 26.77
 Height of the chimney (in):
 Vertical rise height:
 Required distance above cooktop/ranges:
 Net weight (lbs): 18
 Gross weight (lbs): 25
 Motor location: Integrated motor in hood body
 Maximum output recirculating air (CFM):
 Diameter of air duct (in) top:
 Diameter of air duct (in) back:
 Discharge direction:
 No-return airflow flap: No
 Length electrical supply cord (cm): 130
 Dimensions of the product, with chimney (if exists) (mm): 799-976 x 600 x 500