



5DS69770

EG1835



Additional accessories available

Long-life activated carbon filter

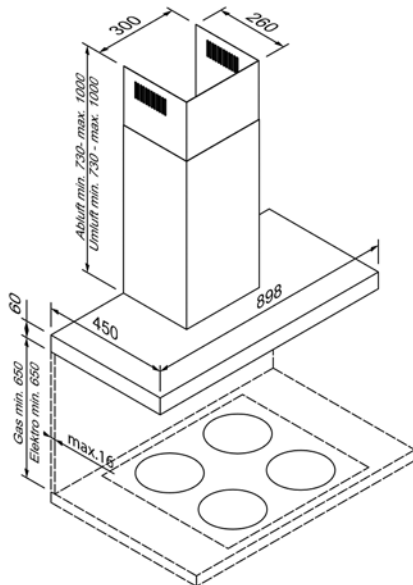
SZ 9114X2

EG18081

Activated carbon filter

SZ 9114X1

EG18611



Design	
Colour	Black glass / Black painted stainless steel
Construction type	Box design
Width (in cm)	90

Operating modes & power	
Extraction mode / circulation mode	• / •
Fan efficiency class	A
Light efficiency class	A
Grease filter efficiency class	B
Extraction capacity max. normal / intensive level ¹	580 / 700 m ³ / h
Circulation capacity max. normal / intensive level ¹	450 / 500 m ³ / h

Operating comfort & equipment	
Operation	Touch control with slider
Lighting	2 × 2 W LED
Power levels	3 + 1 Intensive level
Intensive levels with automatic reset	•
Multi Control ¹	–
Filter saturation indicator	–

Accessories included**	
Accessories included	Metal grease filter, dishwasher-safe, Chimney

Technical data	
Energy efficiency class	A+
Connected load	274 W / 220 – 240 V
Fuse protection (in A)	10 A
Frequency (in Hz)	50;60 Hz
Plug type	Type F
Length of connection cable (in cm)	150 cm
Net weight (in KG)	16 kg
Gross weight (in KG)	19,5 kg
Dimensions of the packaged appliance (H × W × D)	59,0 × 97,2 × 41,5 cm
Appliance dimensions, extraction (H × W × D)	79,0 – 106,0 × 90,0 × 45,0 cm
Appliance dimensions, circulation (H × W × D)	79,0 – 106,0 × 90,0 × 45,0 cm
EAN	4251003107388

Note	
Note	

¹ Normen für Lüfterleistung nach EN 61591.

² Normen für Schalldruck nach EN 60704-2-13.

³ Weitere Informationen zu Multi Control finden Sie auf unserer Webseite:
www.blaupunkt-einbaugeraete.com
 EEK-Skala von A+++ bis D.