

5DS69450

Wall-mounted chimney hood

Box design



## **5DS69450 Stainless steel**

- Energy Efficiency Class: A+
- Average Energy Consumption: 34.2 kWh/year
- Blower Efficiency Class: A\*
- Lighting Efficiency Class: A
- Grease Filtering Efficiency Class: C
- Noise min./max. Normal Level: 45/55 dB

### **Design**

- Wall-mounted chimney hood
- 90 cm wide

### **Features**

- Wall mounted hood
- Suitable for ducted or re-circulated extraction
- For recirculated extraction recirculating kit (accessory) needed
- Electronic controls
- Extraction rate 5 step (3 speeds plus 2 intensive), adjustable through Push button controls with 7-segment display
- Automatic revert setting, 6 minutes
- Automatic 10 minutes after running
- Strong and quiet fan
- Efficient BLDC-technology
- Additional noise insulation

### **Comfort:**

- Chimney hood wall fixing syst.
- Noise level according to EN 60704-3 und EN 60704-2-13

Extraction rate:

Max. normal use: 55 dB(A) re 1 pW (41 dB(A) re 20 µPa sound pressure)

Intensive: 65 dB(A) re 1 pW (51 dB(A) re 20 µPa sound pressure)

Recirculating rate:

Max. normal use: 68 dB(A) re 1 pW (54 dB(A) re 20 µPa sound pressure)

Intensive: 73 dB(A) re 1 pW (59 dB(A) re 20 µPa sound pressure)

- Metal grease filter, dishwasher safe
- Bright illumination with 3 x LED 3W
- Light dimmer function
- softLight
- Light Intensity: 897 lux
- Colour Temperature: 3500 K
- Light Colour: neutral white

### **Power**

- Air volume according to EN 61591:

extraction rate:

max. normal use 460 m³/h, intensive 730 m³/h

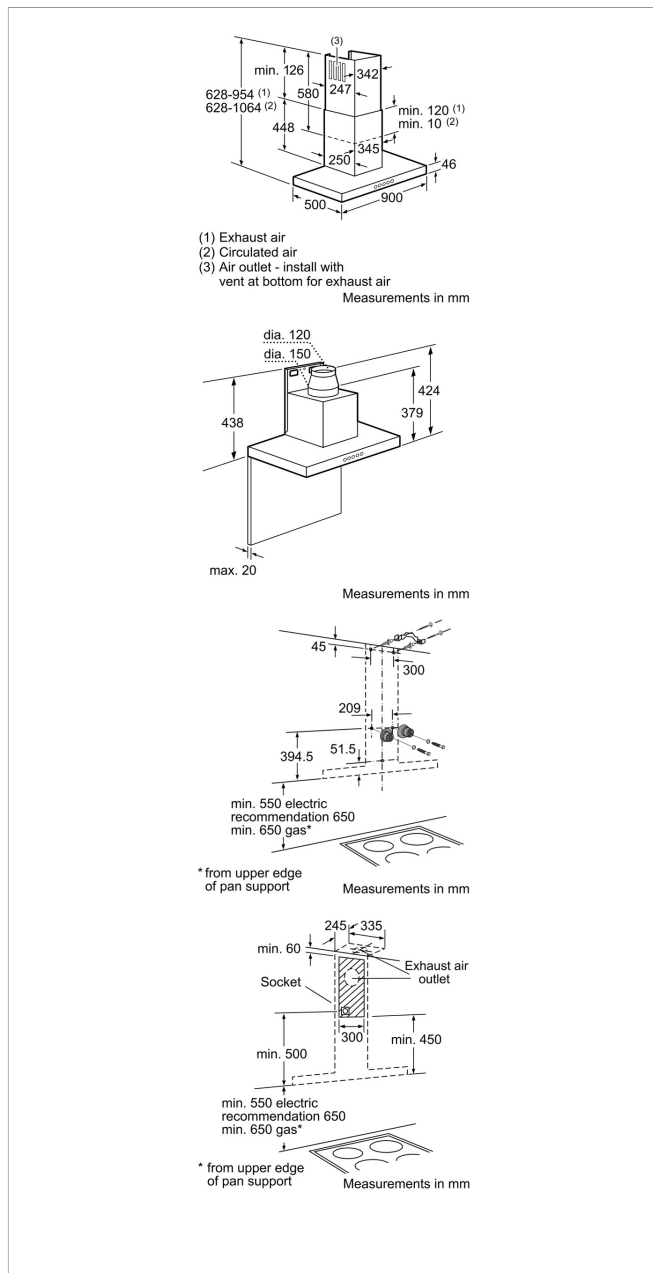
recirculating rate:

max. normal use 240 m³/h, intensive 440 m³/h

## 5DS69450

### Wall-mounted chimney hood

### Box design



#### Characteristics

Color chimney: Stainless steel  
 Typology: Chimney  
 Approval certificates: CE, VDE  
 Length electrical supply cord (cm): 130  
 Height of the chimney (mm): 582-908/582-1018  
 Height of product, without chimney (mm): 46  
 Net weight (kg): 18.0  
 Type of control: Electronic  
 Number of speed settings: 3-stage + 2 intensive  
 Maximum output air extraction (m<sup>3</sup>/h): 460  
 Boost position output recirculating (m<sup>3</sup>/h): 440  
 Maximum output recirculating air (m<sup>3</sup>/h): 340  
 Boost position air extraction (m<sup>3</sup>/h): 730  
 Number of lights: 3  
 Noise level (dB): 55  
 Diameter of air outlet (mm): 120 / 150  
 Grease filter material: Washable aluminium  
 Odour filter: No  
 Operating Mode: Convertible  
 Delay Shut off modes: 10M  
 Optional accessories: 5Z5102X5  
 Type of lamps used: LED  
 Total power of the lamps (W): 9  
 Grease filter type: Kassette

#### Consumption and connection features

Connection Rating (W): 139  
 Current (A): 10  
 Voltage (V): 220-240  
 Frequency (Hz): 50; 60  
 Plug type: Gardy plug w/ earthing  
 Installation typology: Wall-mounted  
 Universal Product Code:  
 Material body: Stainless steel  
 Approval certificates: CE, VDE  
 Length of electrical supply cord (in):  
 Plug type: Gardy plug w/ earthing  
 Dimensions of the product, with chimney (if exists) (in): / x x  
 Dimensions of the packed product (in): 23.22 x 25.59 x 37.79  
 Height of the chimney (in):  
 Vertical rise height:  
 Required distance above cooktop/ranges:  
 Net weight (lbs): 41  
 Gross weight (lbs): 52  
 Motor location: Integrated motor in hood chimney  
 Maximum output recirculating air (CFM):  
 Diameter of air duct (in) top:  
 Diameter of air duct (in) back:  
 Discharge direction: