

5DS66450

Wall-mounted chimney hood

Box design



5DS66450 Stainless steel

- Energy Efficiency Class: A+
- Average Energy Consumption: 28.5 kWh/year
- Blower Efficiency Class: A*
- Lighting Efficiency Class: A
- Grease Filtering Efficiency Class: C
- Noise min./max. Normal Level: 47/58 dB

Design

- Wall-mounted chimney hood
- 60 cm wide

Features

- Wall mounted hood
- Suitable for ducted or re-circulated extraction
- For recirculated extraction recirculating kit (accessory) needed
- Electronic controls
- Extraction rate 5 step (3 speeds plus 2 intensive), adjustable through Push button controls with 7-segment display
- Automatic revert setting, 6 minutes
- Automatic 10 minutes after running
- Strong and quiet fan
- Efficient BLDC-technology

Comfort:

- Chimney hood wall fixing syst.
- Noise level according to EN 60704-3 und EN 60704-2-13

Extraction rate:

Max. normal use: 58 dB(A) re 1 pW (44 dB(A) re 20 µPa sound pressure)

Intensive: 69 dB(A) re 1 pW (55 dB(A) re 20 µPa sound pressure)

Recirculating rate:

Max. normal use: 69 dB(A) re 1 pW (55 dB(A) re 20 µPa sound pressure)

Intensive: 73 dB(A) re 1 pW (59 dB(A) re 20 µPa sound pressure)

- Metal grease filter, dishwasher safe
- Bright illumination with 2 x LED 3W
- Light dimmer function
- softLight
- Light Intensity: 745 lux
- Colour Temperature: 3500 K
- Light Colour: neutral white

Power

- Air volume according to EN 61591:

extraction rate:

max. normal use 430 m³/h, intensive 680 m³/h

recirculating rate:

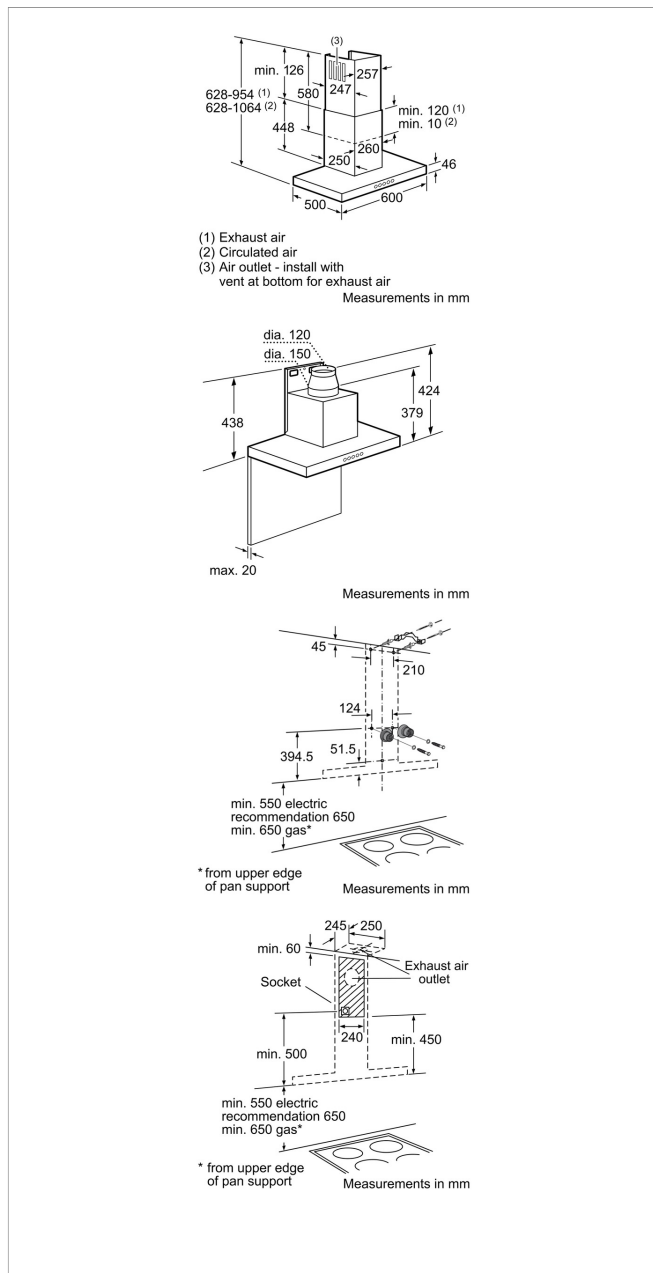
max. normal use 290 m³/h, intensive 350 m³/h

Technical information:

5DS66450

Wall-mounted chimney hood

Box design



Characteristics

Color chimney: Stainless steel
 Typology: Chimney
 Approval certificates: CE, VDE
 Length electrical supply cord (cm): 130
 Height of the chimney (mm): 582-908/582-1018
 Height of product, without chimney (mm): 46
 Net weight (kg): 15.0
 Type of control: Electronic
 Number of speed settings: 3-stage + 2 intensive
 Maximum output air extraction (m³/h): 430
 Boost position output recirculating (m³/h): 350
 Maximum output recirculating air (m³/h): 290
 Boost position air extraction (m³/h): 680
 Number of lights: 2
 Noise level (dB): 58
 Diameter of air outlet (mm): 150 / 120
 Grease filter material: Washable aluminium
 Odour filter: No
 Operating Mode: Convertible
 Delay Shut off modes: 10M
 Optional accessories: 5Z5101X5
 Type of lamps used: LED
 Total power of the lamps (W): 6
 Grease filter type: Kassette

Consumption and connection features

Connection Rating (W): 136
 Current (A): 10
 Voltage (V): 220-240
 Frequency (Hz): 60; 50
 Plug type: Gardy plug w/ earthing
 Installation typology: Wall-mounted
 Universal Product Code:
 Material body: Stainless steel
 Approval certificates: CE, VDE
 Length of electrical supply cord (in):
 Plug type: Gardy plug w/ earthing
 Dimensions of the product, with chimney (if exists) (in): / x x
 Dimensions of the packed product (in): 23.03 x 25.59 x 26.37
 Height of the chimney (in):
 Vertical rise height:
 Required distance above cooktop/ranges:
 Net weight (lbs): 33
 Gross weight (lbs): 43
 Motor location: Integrated motor in hood chimney
 Maximum output recirculating air (CFM):
 Diameter of air duct (in) top:
 Diameter of air duct (in) back:
 Discharge direction: