



5D069751
Oblique flue
Stainless steel and black glass

Output, consumption

- Voltage: 220 – 240 V
- Total connected load: 272 W
- Energy efficiency class: A+*
- Average power consumption: 41 kWh/year*
- Fan efficiency class: A*
- Light efficiency class: A*
- Grease filter efficiency class: F*
- Noise min./max. Normal level: 52/65 dB*

Fan output max. Normal level / Intensive level*: • in extraction mode 580 m³/h / 720 m³/h • in circulation mode 300 m³/h / 420 m³/h

* According to EU Regulation No. 65/2014 / Fan capacity according to EN 61591

Equipment / comfort

- Stainless steel and black glass
- For wall installation above hobs
- Optional extraction or circulation mode (starter set required for circulation mode)
- Electronic control
- 4-level fan power (3 power levels + 1 intensive level) controllable through Touch Control with LED display
- Intensive levels with automatic reset
- Powerful and quiet blower
- High, fine-tunable fan power through electronic control
- Automatic blower overrun
- Edge suction
- Uniform, bright lighting with 2 x 1 W LED lamps
- Illuminance: 200 lux
- Colour temperature: 3.000 K
- Metal grease filter, dishwasher-safe
- Including exhaust air shaft

Optional accessories:

- 5Z9100X1: Starter set for circulation mode
- 5Z9117X1: Shaft extension, upper flue stainless steel 500 mm
- 5Z9118X1: Shaft extension, upper flue stainless steel 990 mm

Technical data and dimensions

- Appliance dimensions, extraction: 720 – 1020 x 900 x 380 mm
- Appliance dimensions, circulation: 840 – 1020 x 900 x 380 mm
- Length of connection cable (cm): 150

Optional accessories:

- 5Z9100X1: Starter set for circulation mode
- 5Z9117X1: Shaft extension, upper flue stainless steel 500 mm
- 5Z9118X1: Shaft extension, upper flue stainless steel 990 mm

Available color options:

Accessories:

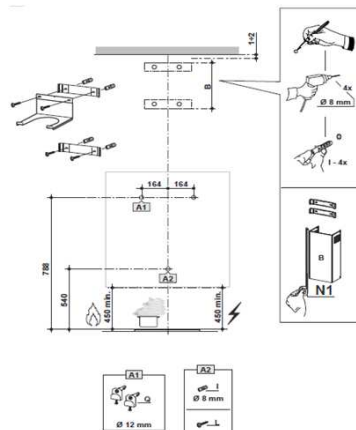
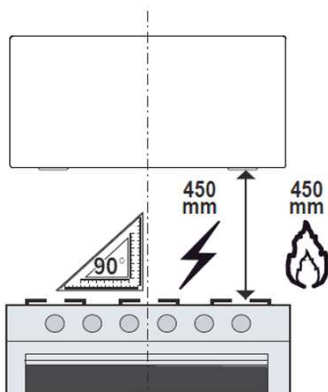
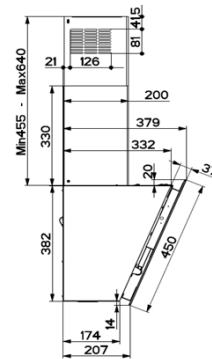
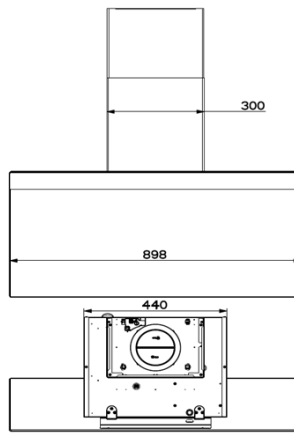
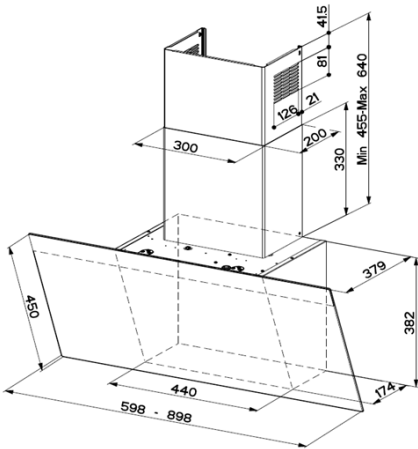
Features:

- Device type: headlamp hood
- Color of the fireplace: stainless steel
- Type: fireplace
- Approval certificates: CE, IMQ (ENEC)
- Length of connection cable (cm): 150
- Niche dimensions (mm): 382x900x380
- Height of the fireplace: 455/640 mm
- Height of the unit without chimney (mm): 382
- Net weight (kg): 14.1
- Control: Touch Control
- Regulation of power levels: 3 + intensive
- Max. Fan power exhaust air operation (m³ / h): 720
- Blower power at intensive stage recirculation mode: 420
- Max. Fan speed recirculation mode (m³ / h): 310
- Blower power at intensive stage exhaust air operation (m³ / h): 580
- Number of lamps (pieces): 2
- Sound power (dB (A) re 1 pW): 62
- Diameter of exhaust air outlet (mm): 150/120
- Material of grease filter: aluminum
- Type of air duct: convertible
- Delay shut off modes: caster
- Type of lamps: LED
- Total power of the lamps (W): 2x1
- Type of grease filter: Multilayer cassette

Consumption and connection values:

- Connected load (W): 272
- Voltage (V): 220-240
- Frequency (Hz): 50-60
- Plug type: Schuko
- Type of installation: wall
- UPC: 4251003101065
- Housing material: Painted housing
- Approval certificates: CE, IMQ (ENEC)
- Length of power cable (in): 59
- Length of connection cable (cm): 150
- Dimensions of the unit, with chimney (if fitted) (in): 32.95 / 40.23 x 35.45 x 14.96
- Dimensions of the packaged device (in): 38.97 x 19.68 x 22.83
- Required distance between trough / stove: 17.71 / 17.71
- Net Weight (lbs): 31.08
- Gross Weight (lbs): 39.24
- Position of the fan: motor in the housing
- Max. Fan power recirculation mode (CFM): 406
- Diameter of the ventilation duct (in) upwards: 5.90 / 4.72
- Diameter of the ventilation duct (in) Rear side:
- Flow direction: upwards
- Backflow flap: Yes

EAN-Nr.: 4251003101065



Dimensions in mm