



**5DL69651
Oblique flue
Black glass screen**

Output, consumption
 • Voltage: 220 – 240 V
 • Total connected load: 272 W
 • Energy efficiency class: A+*
 • Average power consumption: 40.4 kWh/year*
 • Fan efficiency class: A*
 • Light efficiency class: A*
 • Grease filter efficiency class: E*
 • Noise min./max. Normal level: 52/66 dB*
 Fan output max. Normal level/ intensive level*: • in extraction mode 580 m³/h / 720 m³/h • in circulation mode 300 m³/h / 410 m³/h
 * According to EU Regulation No. 65/2014 / Fan capacity according to EN 61591

Equipment / comfort
 • Black glass screen
 • For wall installation above hobs
 • Optional extraction or circulation mode (starter set required for circulation mode)
 • Electronic control
 • 4-level fan power (3 power levels + 1 intensive level) controllable through Touch Control with LED display
 • Intensive levels with automatic reset
 • Powerful and quiet blower
 • High, fine-tunable fan power through electronic control
 • Automatic blower overrun
 • Edge suction
 • Uniform, bright lighting with 2 x 1 W LED lamps
 • Illuminance: 200 lux
 • Colour temperature: 3.000 K
 • Metal grease filter, dishwasher-safe
 • Including exhaust air shaft

Optional accessories:
 • 5Z9100X1: Starter set for circulation mode
 • 5Z 9117X1: Shaft extension, upper flue stainless steel 500 mm
 • 5Z 9118X1: Shaft extension, upper flue stainless steel 990 mm

Technical data and dimensions
 • Appliance dimensions, extraction: 660 – 970 x 900 x 340 mm
 • Appliance dimensions, circulation: 790 – 970 x 900 x 340 mm
 • Length of connection cable (cm): 150

Optional accessories:
 • 5Z9100X1: Starter set for circulation mode
 • 5Z 9117X1: Shaft extension, upper flue stainless steel 500 mm
 • 5Z 9118X1: Shaft extension, upper flue stainless steel 990 mm

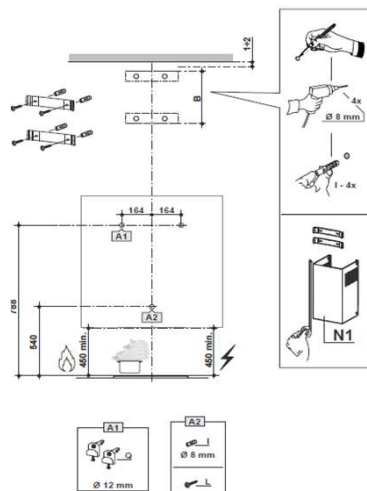
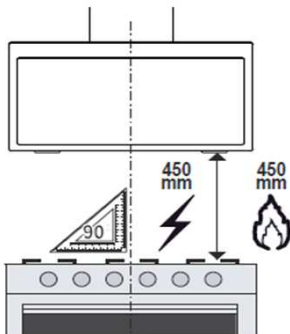
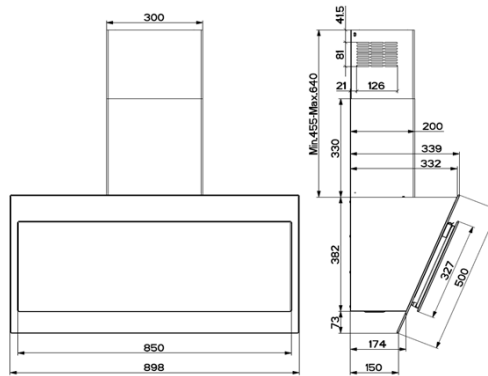
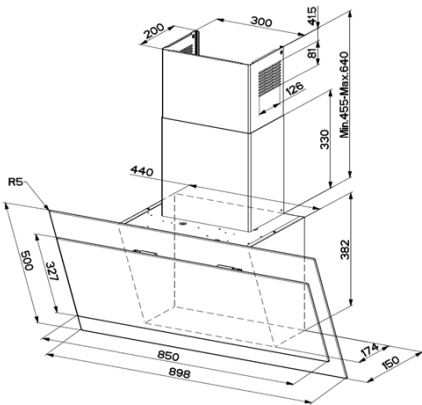
Available color options:

Accessories:

Features:
 • Device type: headlamp hood
 • Color of the fireplace: stainless steel
 • Type: fireplace
 • Approval certificates: CE, IMQ (ENEC)
 • Length of connection cable (cm): 150
 • Niche dimensions (mm): 382x900x400
 • Height of the chimney (mm): min. 455 max. 640
 • Height of the unit without chimney (mm): 382
 • Net weight (kg): 15.9
 • Control: Touch Control
 • Regulation of power levels: 3 + intensive
 • Max. Fan power exhaust air operation (m³ / h): 720
 • Blower power at intensive stage recirculation mode: 410
 • Max. Fan speed recirculation mode (m³ / h): 300
 • Blower power at intensive stage exhaust air operation (m³ / h): 580
 • Number of lamps (pieces): 2
 • Sound power (dB (A) re 1 pW): 66
 • Diameter of exhaust air outlet (mm): 150/120
 • Material of grease filter: aluminum
 • Type of air duct: convertible
 • Delay shut off modes: caster
 • Type of lamps: LED
 • Total power of the lamps (W): 2x1
 • Type of grease filter: Multilayer cassette

Consumption and connection values:
 • Connected load (W): 272
 • Voltage (V): 220-240
 • Frequency (Hz): 50-60
 • Plug type: Schuko
 • Type of installation: wall
 • LFC: 7612961605087
 • Housing material: Painted housing
 • Approval certificates: CE, IMQ (ENEC)
 • Length of power cable (m): 59
 • Length of connection cable (cm): 150
 • Dimensions of the unit, with chimney (if equipped) (in): 32.95 / 40.23 x 35.43 x 13.38
 • Dimensions of the packaged device (in): 40.15 x 25.59 x 25.07
 • Required distance between trough / stove: 17.71 / 17.17
 • Net Weight (lbs): 35
 • Gross Weight (lbs): 49.38
 • Position of the fan: motor in the housing
 • Max. Fan power recirculation mode (CFM): 406
 • Diameter of the ventilation duct (in) upwards: 5.90 / 4.72
 • Diameter of the ventilation duct (in) Rear side:
 • Flow direction: upwards
 • Backflow flap: Yes

EAN-Nr.: 4251003101058



Dimensions in mm