



**5DL66751**  
**Oblique flue**  
**Stainless steel and black glass**

**Output, consumption**

- Voltage: 220 – 240 V
- Total connected load: 225.4 W
- Energy efficiency class: A\*
- Average power consumption: 49.6 kWh/year\*
- Fan efficiency class: A\*
- Light efficiency class: A\*
- Grease filter efficiency class: C\*
- Noise min./max. Normal level: 48/58 dB\*
- Fan output max. Normal level/ Intensive level\*: • in extraction mode max. 560 m<sup>3</sup>/h/ 661 m<sup>3</sup>/h • in circulation mode max. 394 m<sup>3</sup>/h / 445 m<sup>3</sup>/h
- \* According to EU Regulation No. 65/2014 / Fan capacity according to EN 61591

**Equipment / comfort**

- Stainless steel and black glass
- For wall installation above cooking zones
- Multi Control
- Touch Control
- Optional extraction or circulation mode (carbon filter required for circulation mode)
- Electronic control
- 4-level fan power (3 power levels + 1 intensive level) controllable through Multi Control
- Intensive levels with automatic reset
- Powerful and quiet blower
- Uniform, bright lighting with 2 x 2.7 W LED modules
- Optional extendible Multi Control function: LED light with adjustable brightness and colour temperature
- Heat sensor for automatic mode
- Colour temperature: 4.000 K preset
- Metal grease filter, dishwasher-safe

**Optional accessories for the extended Multi Control function**

- BLZ 501 Receiver
- BLZ 502 Remote control

**Optional accessories**

- SZ 9108X1: Carbon filter
- SZ 9106X1: Upper and lower shaft set

**Technical data and dimensions**

- Appliance dimensions, extraction: 670 – 910 x 600 x 422 mm
- Appliance dimensions, circulation: 350 x 600 x 422 mm
- Length of connection cable (cm): 150
- „dimensions and installation instructions for this device in accordance with the technical drawing“

**Optional accessories:**

- Optional accessories for the extended Multi Control function
- BLZ 501 Receiver
- BLZ 502 Remote control

**Optional accessories**

- SZ 9108X1: Carbon filter
- SZ 9106X1: Upper and lower shaft set

**Available color options:**

**Accessories:**

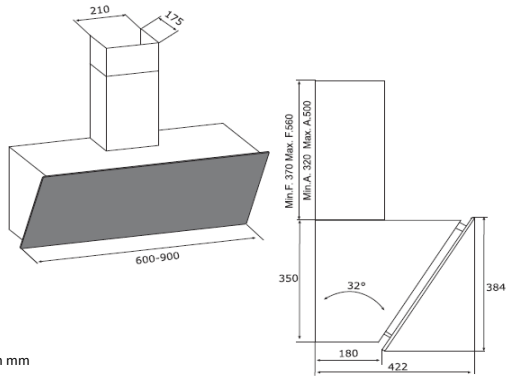
**Features:**

- Device type: Wall hood
- Approval certificates: CE
- Length of connection cable (cm): 150
- Net weight (kg): 14
- Number of lamps (pcs): 2
- Diameter of exhaust air outlet (mm): 150
- Material of grease filter: aluminum

**Consumption and connection values:**

- Total connection value: (W): 225.4
- Voltage (V): 220/240
- Frequency (Hz): 50/60
- Plug type: Schuko
- Hood Body: Stainless Steel Black Lacquered and Glass Black
- Required distance above cooktop / ranges: 60cm
- Distance from the hob: 60cm

EAN-Nr.:4251003102468



Dimensions in mm