



5DA46450 52cm Fan module, stainless steel

Power / Consumption

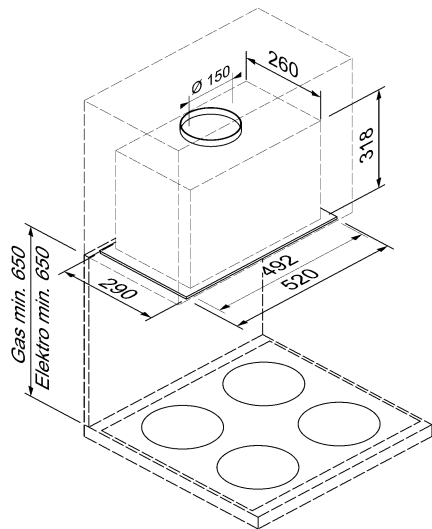
- Energy efficiency class: B
- Average energy consumption: 67.5 kW/year
- Fan efficiency class: B
- Lighting efficiency class: A
- Grease filter efficiency class: C
- Total connected load: 252 W
- Voltage: 220-240 V

Equipment / Comfort

- For installation in the wall unit
- Optionally exhaust air or recirculated air operation (for recirculation operation a starter set is required)
- 4-stage fan power (3 power levels + 1 intensive level) adjustable by selection buttons with LED display
- Electronic control
- Powerful and quiet fan
- Edge suction
- Uniform, bright illumination with 2 x 1,0 W LED lamps
- Illuminance: 200 lux
- Color temperature: 4.000 K
- Metal grease filter, dishwasher safe

Dimensions

- Device dimensions exhaust air (HxWxD): 317,5x522x286 mm
- Device dimensions recirculation air (HxWxD): 317,5x522x286 mm



Accessories

Optional accessories:

- 5Z9100X1: Activated carbon filter for recirculation mode
- 5Z9100X2: Activated carbon filter-Longlife for recirculation mode

Available color options:

Equipment features:

Device type: Fan module
 Color of the fireplace: -
 Type of construction: Built-in
 Approval certificates: CE, UKCA
 Length of connection cable (cm): 150
 niche dimensions (mm): 317,5 x 260 x 495mm
 Height of the fireplace: -
 Height of the device without fireplace (mm): 317,5 Net weight (kg): 7,5
 Control: selector buttons
 Regulation of power levels: 3 + intensive
 Max. Fan power-extract air mode (m³/h): 580 Fan power at intensive level-recirculate air mode: -
 Max. Fan capacity-recirculation mode (m³/h): -max. blower capacity in intensive stage-exhaust air mode (m³/h): 670 Sound power (dB(A) re 1 pW): 66
 diameter of the exhaust air spigot (mm): 150/120
 Grease filter material: Aluminum
 Odor filter: No
 Type of air duct: Convertible
 Number of lamps (pieces): 2
 Type of lamps: LED
 Total power of lamps (W): 2x1,0
 Filter change reminder: No

Consumption and connected load:

Connected load (W): 252
 Fuse rating (A): No
 Voltage (V): 220-240
 Frequency (Hz): 50-60
 Plug type: Schuko
 Type of installation: Built-in
 Housing material: Stainless steel
 Approval certificates: CE, UKCA
 Plug type: Schuko
 Dimensions of the unit
 Exhaust air (HxWxD): 317,5x522x286 mm
 circulating air (HxWxD): 317,5x522x286 mm
 Dimensions of the packed device: 42,5 x 36,5 x 60,5 cm
 Net weight (kg): 7,5
 Gross weight (kg): 10,0
 Position of the blower: motor in the housing Drainage direction: upwards
 Backwater flap: Yes
 Length of connection cable (cm): 150